

CONTENTS / INDEX

Series	Describe	Page
3.2-01	American Type Hose Clamp	2
3.2-02	British Type Hose Clamp	3
3.2-03	German Type Hose Clamp	4
3.2-04	High Strengthen Hose Clamp	5
3.2-05	Single Ear Hose Clamp	6
3.2-05	Double Wire Hose Clamp	7

NOTES

The parameters in this catalogue are for reference only, and their dimensions and proportions may be a little different from those of the real products. Products included in this catalogue don't refer to all, so if customers are interested in other products, please don't hesitate to contact Sinopulse for further information.

Sinopulse has made much effort to record the correct data in this publication. However, in order to promote our products, we may make some changes of their size or description, which haven't been shown yet. We reserve the rights for explanation, but sorry for no further notice to customer the change of products' design, description or even stop of some products' manufacture in future.

Contact us for more information and prices

SINOPULSE HOSE FACTORY CO., LTD

Address: No.88 Huaian West Road, Shijiazhuang, Hebei, China

Phone: +86-310-8678700

Fax: +86-310-8678600

E-Mail: sales@sinopulse.cn

Website: www.sinopulse.cn

3.2-01 American Type Hose Clamp

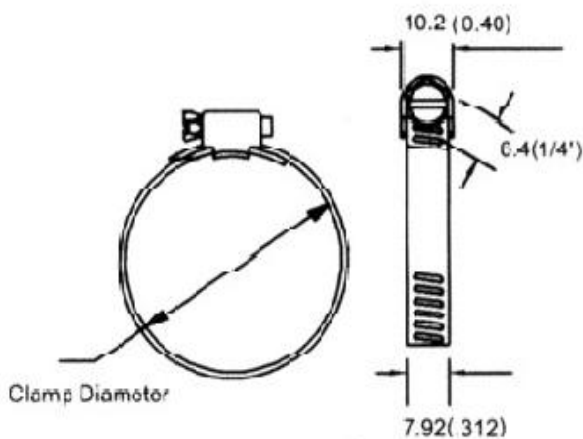
Material: W1: All parts steel zinc plated. W4: All parts stainless steel.

W2: Band & hosing stainless steel, screw zinc plated.

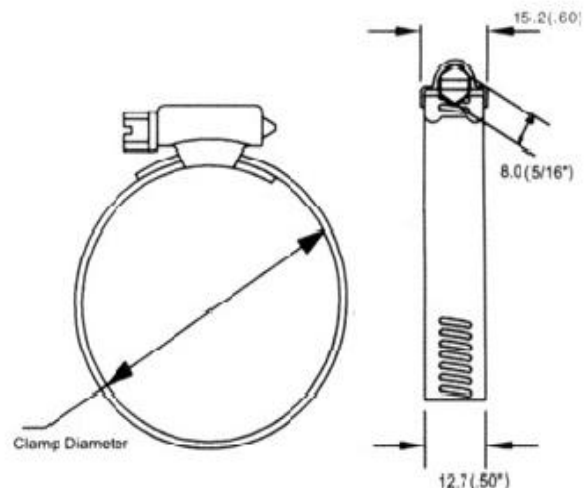
NO.	Clamp Diameter		Galvanized	Stainless steel with		Amount	Weight	Bandwidth
				AISI 304	AISI 304			
4	7/32 " -5/8 "	6-16	0.6	0.6	0.5	2000	14.7	8
6	7/16 " -3/4 "	11-20	0.6	0.6	0.5	2000	14.7	
8	1/2 " -7/8 "	13-23	0.6	0.6	0.5	2000	14.7	
10	1/2 " 1 "	13-25	0.6	0.6	0.5	2000	14.7	
4	3/8 " 25/32 "	10-20	0.7	0.65	0.6	1000	18.7	12.7
6	3/8 " 7/8 "	10-22	0.7	0.65	0.6	1000	19.0	
8	7/16 " -1 "	11-25	0.7	0.65	0.6	1000	19.3	
10	9/16 " -11/16 "	14-27	0.7	0.65	0.6	1000	19.5	
12	11/16 " -11/4 "	18-32	0.7	0.65	0.6	1000	20.0	
16	13/16 " -11/2 "	21-38	0.7	0.65	0.6	1000	21.1	
20	13/16 " -13/4 "	21-44	0.7	0.65	0.6	1000	23.2	
24	11/16 " -2 "	27-51	0.7	0.65	0.6	1000	24.3	
28	15/16 " -21/4 "	33-57	0.7	0.65	0.6	1000	27.4	
32	19/16 " -21/2 "	40-63	0.7	0.65	0.6	1000	29.6	
36	113/16 " -23/4 "	46-70	0.7	0.65	0.6	1000	31.7	
40	21/16 " -3 "	52-76	0.7	0.65	0.6	500	17.2	
44	25/16 " -31/4 "	59-82	0.7	0.65	0.6	500	18.3	12.7
48	29/16 " -31/2 "	65-89	0.7	0.65	0.6	500	18.4	
52	213/16 " -33/4 "	72-95	0.7	0.65	0.6	500	19.5	
56	31/16 " -4 "	78-101	0.7	0.65	0.6	500	19.6	
60	35/16 " -41/4 "	84-108	0.7	0.65	0.6	500	21.4	
64	39/16 " -41/2 "	91-114	0.7	0.65	0.6	500	21.5	
72	41/8 " -5 "	105-127	0.7	0.65	0.6	250	12.0	
80	45/8-51/2	118-140	0.7	0.65	0.6	250	13.0	
88	51/8 " -6 "	130-152	0.7	0.65	0.6	250	14.0	
96	55/8 " -61/2 "	143-165	0.7	0.65	0.6	250	15.0	
104	61/8 " -7 "	155-178	0.7	0.65	0.6	250	16.0	

NOTE: Various band width could be choosed.

Mini Clamp Screw:1/4" hex-head



Regular Clamp Screw:5/16" hex-head



3.2-02 British Type Hose Clamp

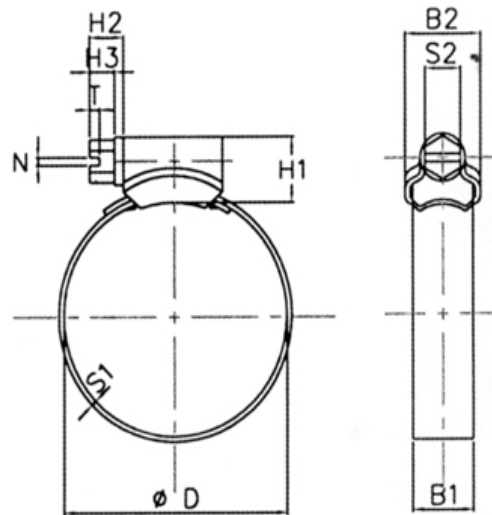
Material:

W1: All parts steel zinc plated.

W2: Band & hosing stainless steel,
screw zinc plated.

W4: All parts stainless steel.

NOTE: Various band width could be choosed.

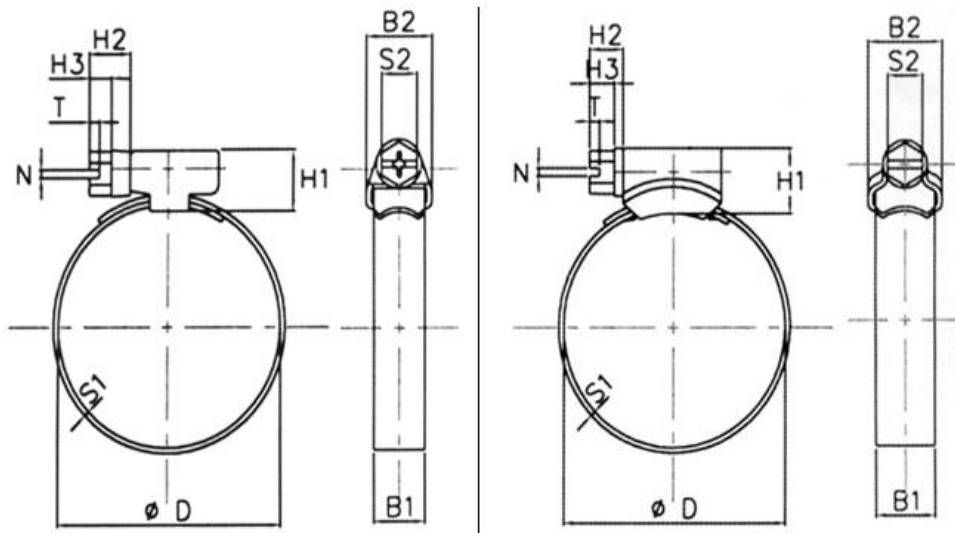


Model NO.	use range (mm)	Band	Band	Worm	housing	Hexagon-head screw					Torsional	Freedom	Pcs/ Carton	Packing size (cm)	G. W. (kg)
		width	thicknes	drive							moment	of torque			
		B1	S1	B2		H1	H2	H3	N	S2	T	In N.m			
0	8-12	10	0.5-1	13	11	8	4	1,2	7	1,6	5	1.5	2400	31x17x22	25
0	10-16	10	0.5-1	13	11	8	4	1,2	7	1,6	5	1.5	1200	31x17x22	13
0	13-19	10	0.5-1	13	11	8	4	1,2	7	1,6	5	1.5	1200	33x26x17	14
0	16-25	10	0.5-1	13	12	8	4	1,2	7	1,6	5	1.5	1200	32x31x20	18
0X	19-29	12	0.5-1	15	12	8	4	1,2	7	1,6	7	1.5	1200	33x35x22	19
1A	22-32	12	0.5-1	15	12	8	4	1,2	7	1,6	7	1.5	600	38x19x24	14
1	25-38	12	0.5-1	15	12	8	4	1,2	7	1,6	7	1.5	600	44x20x28	15
1X	32-44	12	0.5-1	15	12	8	4	1,2	7	1,6	7	1.5	600	51x20x30	18
2A	35-51	12	0.5-1	15	12	8	4	1,2	7	1,6	7	1.5	600	36x29x33	19
2	38-57	12	0.5-1	15	12	8	4	1,2	7	1,6	7	1.5	600	37x35x37	22
2X	44-64	12	0.5-1	15	12	8	4	1,2	7	1,6	7	1.5	600	39x38x40	24
3	51-70	12	0.5-1	15	12	8	4	1,2	7	1,6	7	1.5	600	40x37x46	25
3X	64-76	12	0.5-1	15	12	8	4	1,2	7	1,6	7	1.5	600	43x37x47	26
4	70-89	12	0.5-1	15	12	8	4	1,2	7	1,6	7	1.5	600	50x37x53	29
4X	76-92	12	0.5-1	15	12	8	4	1,2	7	1,6	7	1.5	600	55x37x54	30
5	80-100	12	0.5-1	15	12	8	4	1,2	7	1,6	7	1.5	500	39x38x40	23
5X	90-110	12	0.5-1	15	12	8	4	1,2	7	1,6	7	1.5	500	39x38x40	24
6	100-120	12	0.5-1	15	12	8	4	1,2	7	1,6	7	1.5	500	41x40x46	27
6X	110-130	12	0.5-1	15	12	8	4	1,2	7	1,6	7	1.5	400	41x40x46	29

3.2-03 German Type Hose Clamp

Material: **W1:** All parts steel zinc plated. **W4:** All parts stainless steel.

W2: Band & hosing stainless steel, screw zinc plated.



strip width 9mm					strip width 12mm					9mm, 12mm					Pcs /box	Pcs/ Carton
clamping range	Band width	Band thickness	Worm drive	housing	clamping range	Band width	Band thickness	Worm drive	housing	Hexagon-head screw						
D	B1 ±1	S1	B2 max	H1 max	D	B1 ±1	S1	B2 max	H1 max	H2 ±0.3	H3 min	N	S2	T ±0.3		
8-12	9	0.5-1	14	14	16-25	12	0.5-1	20	16	8	4	1,2	7	1,6	100	2000
10-16	9	0.5-1	14	14	20-32	12	0.5-1	20	16	8	4	1,2	7	1,6	100	2000
12-20	9	0.5-1	14	14	25-40	12	0.5-1	20	16	8	4	1,2	7	1,6	100	1000
16-25	9	0.5-1	14	14	32-50	12	0.5-1	20	16	8	4	1,2	7	1,6	100	1000
20-32	9	0.5-1	14	14	40-60	12	0.5-1	20	16	8	4	1,2	7	1,6	100	1000
25-40	9	0.5-1	14	14	50-70	12	0.5-1	20	16	8	4	1,2	7	1,6	100	1000
32-50	9	0.5-1	14	14	60-80	12	0.5-1	20	16	8	4	1,2	7	1,6	50	1000
40-60	9	0.5-1	14	14	70-90	12	0.5-1	20	16	8	4	1,2	7	1,6	50	1000
50-70	9	0.5-1	14	14	80-100	12	0.5-1	20	16	8	4	1,2	7	1,6	50	500
60-80	9	0.5-1	14	14	90-110	12	0.5-1	20	16	8	4	1,2	7	1,6	50	500
70-90	9	0.5-1	14	14	100-120	12	0.5-1	20	16	8	4	1,2	7	1,6	25	500
80-100	9	0.5-1	14	14	110-130	12	0.5-1	20	16	8	4	1,2	7	1,6	25	500
90-110	9	0.5-1	14	14	120-140	12	0.5-1	20	16	8	4	1,2	7	1,6	25	500
100-120	9	0.5-1	14	14	130-150	12	0.5-1	20	16	8	4	1,2	7	1,6	25	500
110-130	9	0.5-1	14	14	140-160	12	0.5-1	20	16	8	4	1,2	7	1,6	10	300
120-140	9	0.5-1	14	14	150-170	12	0.5-1	20	16	8	4	1,2	7	1,6	10	300
130-150	9	0.5-1	14	14	160-180	12	0.5-1	20	16	8	4	1,2	7	1,6	10	300
140-160	9	0.5-1	14	14	170-190	12	0.5-1	20	16	8	4	1,2	7	1,6	10	300
150-170	9	0.5-1	14	14	180-200	12	0.5-1	20	16	8	4	1,2	7	1,6	10	300
160-180	9	0.5-1	14	14	190-210	12	0.5-1	20	16	8	4	1,2	7	1,6	10	300
170-190	9	0.5-1	14	14	200-220	12	0.5-1	20	16	8	4	1,2	7	1,6	10	200
180-200	9	0.5-1	14	14	210-230	12	0.5-1	20	16	8	4	1,2	7	1,6	10	200
190-210	9	0.5-1	14	14											10	200
200-220	9	0.5-1	14	14											10	200
210-230	9	0.5-1	14	14											10	200

NOTE: Various band width could be choosed.

3.2-04 High Strengthen Hose Clamp

Material: W1: All parts steel zinc plated. W4: All parts stainless steel.

W2: Band & hosing stainless steel, screw zinc plated.

The scope of mediation	Bandwidth	Hou-take	Screw the site size			Torque test
			a	b	c	
23 - 25	18	0.6	40	8	5	4.5
26 - 28	18	0.6	40	8	5	4.5
29 - 31	20	0.8	50	10	6	8
32 - 35	20	0.8	50	10	6	8
36 - 39	20	0.8	50	10	6	8
40 - 43	20	0.8	50	10	6	8
44 - 47	22	1.2	60	10	6	8
48 - 51	22	1.2	60	10	6	8
52 - 55	22	1.2	60	10	6	8
56 - 59	22	1.2	60	10	6	8
60 - 63	22	1.2	60	10	8	8
64 - 67	22	1.2	60	13	8	25
68 - 73	24	1.5	65	13	8	25
74 - 79	24	1.5	65	13	8	25
80 - 85	24	1.5	75	13	8	25
86 - 91	24	1.5	75	13	8	25
92 - 97	24	1.5	75	13	8	25
98 - 103	24	1.5	80	13	8	25
104 - 112	24	1.5	80	13	8	25
112 - 121	24	1.5	80	13	8	25
122 - 130	24	1.5	80	13	8	25
131 - 139	26	1.7	90	17	10	50
140 - 148	26	1.7	90	17	10	50
149 - 161	26	1.7	90	17	10	50
162 - 174	26	1.7	90	17	10	50
175 - 187	26	1.7	90	17	10	50



3.2-05 Single Ear Hose Clamp

Single ear stepless hose clamp is made from stainless steel belt under standard. The single ear clamp has features of tongue in guideslot design, providing even pressure, 360° degree sealing, small size, light weight and big clamping force.

Longte single ear stepless clamp is made from stainless steel belt under standard. The single ear clamp has features of tongue in guideslot design, providing even pressure, 360° degree sealing, small size, light weight and big clamping force.

Supply	The scope of regulation	Supply	The scope of regulation	Supply	The scope of regulation	Supply	The scope of regulation
008.7-506R	7.0-8.7	053.0-706	49.8-530	105	8.9-10.5	515	48.4-51.5
009.6-506R	7.8-905	054.5-706	51.3-54.5	113	9.7-11.3	530	49.5-53.0
010.5-505R	8.8-10.6	056.0-706	52.8-56.0	123	10.4-12.3	545	51.4-54.5
011.9-706	9.4-11.9	057.5-706	54.3-57.6	133	11.4-13.3	560	52.9-56.0
012.3-706	908-12.3	059.0-706	55.8-59.0	135	11.5-13.5	575	54.4-57.5
012.8-706	10.3-12.8	060.5-706	57.0-60.5	138	11.9-13.8	590	55.9-59.0
013.3-706	10.8-13.3	062.0-706	58.8-62.0	140	11.9-14.0	605	57.4-60.5
013.8-706	11.3-13.8	063.5-706	60.3-63.5	145	12.6-14.5	620	58.9-62.0
014.0-706	11.5-14.0	065.0-706	61.8-65.0	157	13.5-15.7	635	60.4-63.5
014.5-706	12.0-14.6	066.5-706	63.3-66.5	170	15.1-17.0	650	61.9-65.0
014.8-706	12.3-14.8	068.0-706	64.8-68.0	185	15.7-18.5	665	63.4-66.5
015.3-706	12.8-15.3	069.5-706	66.3-69.5	198	17.0-19.8	680	64.9-68.0
015.7-706	13.2-16.7	072.5-706	67.8-71.0	210	18.2-21.0	695	66.4-69.5
016.2-706	13.7-16.2	074.0-706	69.3-72.5	226	19.8-22.6	710	67.9-71.0
016.6-706	14.1-16.6	075.5-706	70.8-74.0	241	21.3-24.1	725	69.4-72.5
016.8-706	14.3-16.8	077.0-706	72.3-75.5	256	22.8-25.6	740	70.9-74.0
017.0-706	14.5-17.0	078.5-706	73.8-77.0	271	24.0-27.1	755	72.4-75.5
017.6-706	15.0-17.5	080.0-706	75.3-78.5	286	25.5-28.6	770	73.9-77.0
017.8-706	14.6-17.8	081.5-706	76.8-80.0	301	27.0-30.1	785	75.4-78.5
018.0-706	14.8-18.0	083.0-706	78.3-81.5	316	28.5-31.6	800	76.9-80.0
018.6-706	15.3-18.6	084.5-706	79.8-83.0	331	30.0-33.1	815	78.4-81.5
019.2-706	16.0-19.2	086.0-706	81.3-84.5	346	31.5-34.6	830	79.9-83.0
019.8-706	16.1-19.8	087.6-706	82.8-86.0	361	33.0-36.1	845	81.4-84.5
021.0-706	17.8-21.0	089.0-706	84.3-87.5	376	34.5-37.6	860	82.9-86.0
022.6-706	19.4-22.6	090.5-706	85.5-89.0	381	35.0-38.1	875	84.4-87.5
023.6-706	20.3-23.6	092.0-706	87.3-90.5	396	36.5-39.6	890	85.9-89.0
024.1-706	20.9-24.1	093.5-706	88.8-92.0	410	37.9-41.0	906	87.4-90.5
025.6-706	22.4-25.6	095.0-706	90.3-93.5	425	39.4-42.5	920	88.9-92.0
027.1-706	23.9-27.1	096.5-706	91.8-95.0	440	40.9-44.0	935	90.4-93.5
028.6-706	25.4-28.6	098.0-706	93.3-96.5	455	42.4-45.5	950	91.9-95.0
030.1-706	26.9-30.1	099.5-706	94.8-98.0	470	43.9-47.0	965	93.4-96.5
030.8-706	27.6-30.8	101.0-706	96.3-99.6	485	45.4-48.5	980	94.9-98.0
031.6-706	28.4-31.6	102.5-706	97.8-101.0	500	46.9-50.0		
033.1-706	29.9-33.1	104.0-706	99.3-102.6				
034.6-706	31.4-34.6	105.5-706	100.8-104.0				
036.1-706	32.9-36.1	107.0-706	102.3-105.6				
037.6-706	34.4-37.6	108.6-706	103.8-107.0				
038.1-706	34.9-38.1	110.0-706	105.3-108.5				
039.6-706	36.4-39.6	111.5-706	106.8-110.0				
041.0-706	37.8-41.0	113.0-706	108.3-111.5				
042.5-706	39.3-42.5	114.5-706	109.8-113.0				
044.0-706	40.8-44.0	116.0-706	111.3-114.5				
045.5-706	42.3-45.5	117.5-706	112.8-116.0				
047.0-706	43.8-47.0	119.0-706	114.3-117.5				
048.5-706	45.3-48.6	120.5-706	115.8-119.0				
050.0-706	46.8-50.0		117.3-120.5				
051.6-706	48.3-51.5						

Note: the supply of No. 3 after the decimal point for galvanized steel, stainless steel to increase OR

3.2-06 Double Wire Hose Clamp

Wire clamp



Size	Steel Dia.	Screw
11-14	1.5	M5*30
13-16	1.5	M5*30
15-18	1.5	M5*30
17-20	1.8	M5*30
19-22	1.8	M5*30
20-24	1.8	M5*30
22-26	1.8	M5*30
24-28	1.8	M5*30
26-30	2.2	M6*40
28-32	2.2	M6*40
31-35	2.2	M6*40
34-38	2.2	M6*40
35-40	2.2	M6*40
37-42	2.2	M6*40
40-45	2.2	M6*40
43-48	2.2	M6*50
45-50	2.2	M6*50
47-52	2.2	M6*50
50-55	2.2	M6*50
53-58	2.2	M6*50
55-60	2.2	M6*60
54-62	2.2	M6*60
60-65	2.2	M6*60
63-68	2.5	M6*60
65-70	2.5	M6*70
70-75	2.5	M6*70
75-80	2.5	M6*70
80-85	2.5	M6*70
84-90	2.5	M8*70
89-95	2.5	M8*70
94-100	2.5	M8*80
98-105	2.5	M8*80
103-110	2.5	M8*80

Size	Steel Dia.	Screw
108-115	2.5	M8*80
113-120	2.5	M8*80
118-125	2.5	M8*80
123-130	2.5	M8*80
128-135	2.5	M8*80
133-140	2.5	M8*80
138-145	2.5	M8*80
143-150	2.5	M8*80
148-155	2.5	M8*80
153-160	2.5	M8*80
158-165	2.5	M8*80
163-170	2.5	M8*80
168-175	2.5	M8*80
173-180	2.5	M8*80
178-185	2.5	M8*80
φ 190	2.5	M8*80
φ 200	2.5	M8*80
φ 210	2.5	M8*80
φ 220	2.5	M8*80
φ 230	2.5	M8*80
φ 240	2.5	M8*80
φ 250	2.5	M8*80
φ 260	2.5	M8*80
φ 270	2.5	M8*80
φ 280	2.5	M8*80
φ 290	2.5	M8*80
φ 300	2.5	M8*80
φ 310	2.5	M8*80
φ 320	2.5	M8*80
φ 330	2.5	M8*80
φ 340	2.5	M8*80
φ 350	2.5	M8*80